



Introducing ReadMaster, Master Meter's purpose-built fixed network data collection solution for the sub-metering industry. While other sub metering systems employ repeaters & complex mesh networks, ReadMaster leverages field proven radio technologies & affordable industrial-grade data collectors to provide exception RF coverage with a minimal amount of infrastructure.

Combined with Master Meter's patented Flexible Axis Meter (FAM) & IP-68 rated integrated registers, ReadMaster is a refreshingly simple solution for collecting metering data from the comfort of the office.

And for those property managers that are looking to do more with their data, Readmaster offers an optional Meter Data Management portal; providing the ability to monitor network health, generate historic consumption reports, identify potential revenue impacting resident behaviors, and much more.

Features & Benefits

ReadMaster Integrated Register:

- Purpose-built for the needs of sub-metering
- Patented RF integrated register for 100% wireless install
- IP-68 rated for outdoor installations
- No additional programming required
- 5-Year register warranty

ReadMaster Fixed Network System:

- Affordable, industrial grade data collectors
- Exceptional RF coverage & minimal infrastructure
- Flexible cellular & ethernet backhaul options
- Push data directly to existing billing management system
- Optional Meter Data Management (MDM) portal

Flexible Axis Meter (FAM):

- 360° Angle installation flexibility
- Great for installation in space challenged locations
- Flushing/Testing plug eliminates need for jumper tubes
- Sustained accuracy for maximum revenue over time
- Efficient flow patterns with minimal head loss
- Meets all applicable AWWA standards



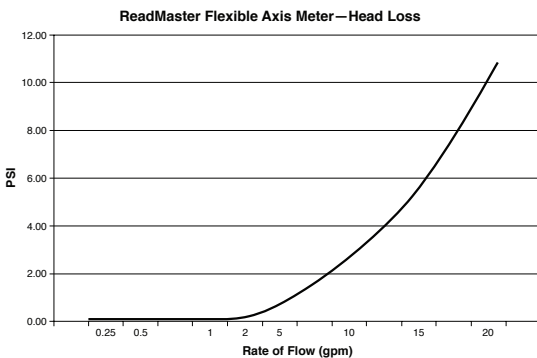
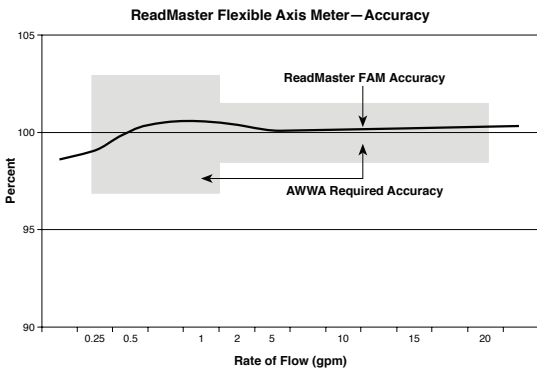
Performance and Materials

	ReadMaster Flexible Axis Meter 3/4"	AWWA C-708 3/4"
Operating Capacity	20 gpm	20 gpm
Maximum Rate for Continuous Duty	15 gpm	10 gpm
Maximum Pressure Loss at Maximum Flow	10.9 psi	15 psi
Normal Flow Range (\pm 1-1/2 %)	1-20 gpm	1-20 gpm
Minimum Flow (\pm 3 %)	1/4 gpm	1/4 gpm
Maximum Working Pressure	150 psi	150 psi
Maximum Working Temperature	120° F	105° F
Meter Casing Spuds, Nominal Thread Size	1"	1"
Nominal Pipe Size	3/4"	3/4"
Weight	2.2 lbs.	Not Specified

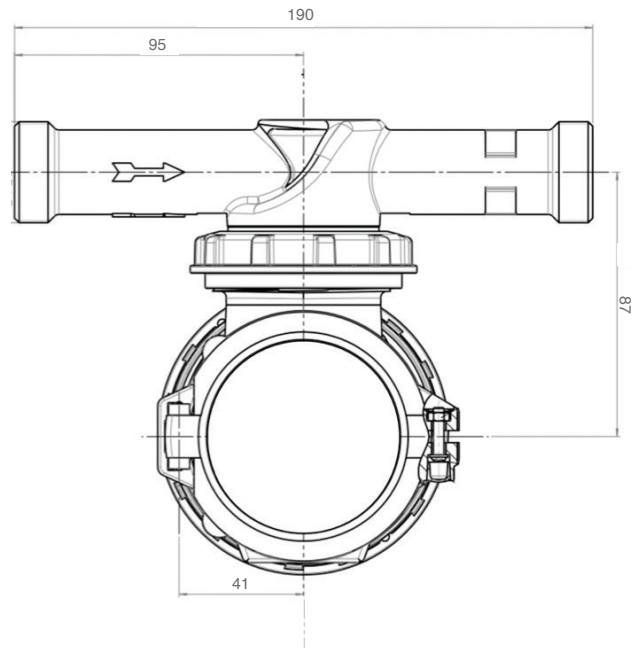
Materials:

Main Case	Glass-reinforced Nylon	Copper Alloy, Minimum 75% Copper
Measuring Chamber	Glass-reinforced Nylon	85% Copper or engineered plastic
Register Construction	Glass-lens, stainless steel case, rubber gasket	Not specified

Accuracy and Head Loss



Dimensions



V.021319_2